

ABB IEC 60 309 International Pin and Sleeve

Approved According to IEC 60 309-1, -2, -4 — Range from 16 up to 125 Amp, up to 600V, IP67 (Watertight)



Safety

- **Proven performance:** With more than 30 years of experience, ABB IEC Pin and Sleeve Connectors are the brand of choice around the globe
- **Added safety measures:** Plugs and connectors are equipped with a double cable clamp system to prevent cable detachment and provide a higher level of cable strain relief
- **Safe connections:** Mechanical interlocks guarantee no access to plug insertion or removal until power is off

Durability

- **Designed for durability:** The housings are made of thermoplastic polyester (PBT) grade Valox® 357 material, which guarantees highest possible durability in this industry
- **Lasting components:** Interconnectors are highly resistant to chemicals like mineral and organic acid, organic solvents and petroleum
- **Built to last:** All external screws are made of stainless steel to prevent corrosion
- **Reinforced for high current reliability:** The contact carrier is made of fiberglass-reinforced nylon material for sizes between 60A–125A, which reduces the need for and expense of replacement parts

Performance

- **Continuing operation:** The self-cleaning pin and sleeve design keeps the connection resistance on the lowest level, reducing down time
- **Long lasting:** Machine-calibrated sleeves with stainless steel springs provide accurate contact pressure over time
- **Resilience:** Corrosion-resistant steel screws at terminals provide clamping pressure over time
- **Easy installation:** Clear terminal markings inside and at the front of the devices

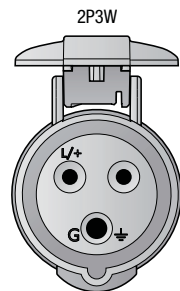
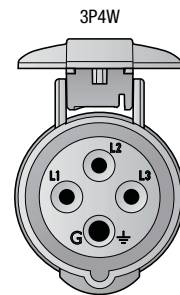
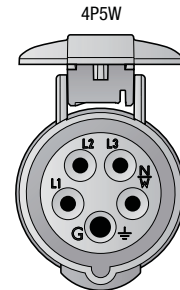
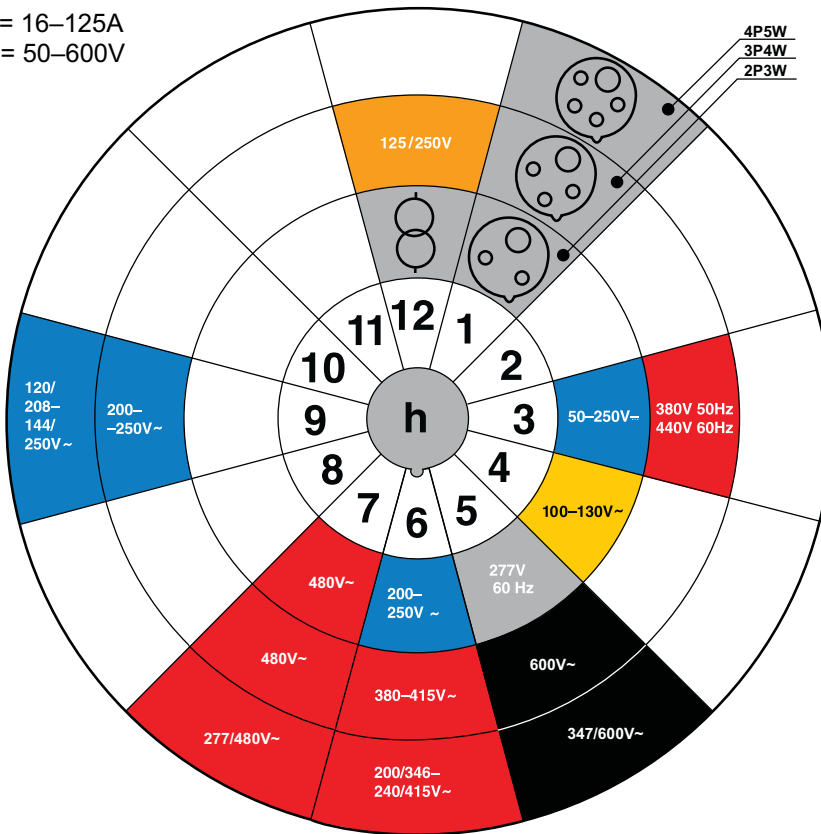


Valox is a registered trademark of SABIC.

ABB IEC 60 309 International Pin and Sleeve

IEC 60 309-2 “Clock”

$I_o = 16-125A$
 $U_o = 50-600V$



Russellstoll® Pin and Sleeve Power Connectors

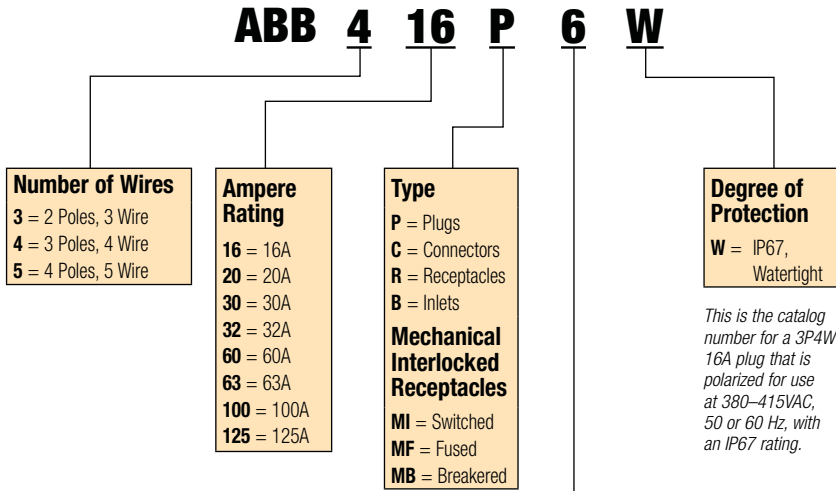
Standard voltages

Color codes according to IEC 60 309-1, -2

POSITION OF EARTHING SLEEVE ACCORDING TO IEC 60309-2 (CLOCK)		2P3W	3P4W	4P5W
1	■	Optional voltage (not stated below)	■	Optional voltage (not stated below)
3	■	50-250V DC	■	380V 50 Hz to 440V 60 Hz
4	■	100-130V 50/60 Hz		
5	■	277V 60 Hz	■	600V 50/60 Hz
6	■	200-250V 50/60 Hz	■	380-415V 50/60 Hz
7	■	480V 50/60 Hz	■	480V 50/60 Hz
9			■	200-250V 50/60 Hz
12	■	Supply from isolating transformer	■	125/250V

ABB IEC 60 309 International Pin and Sleeve

Part Number Configuration



Standard voltages

Color codes according to IEC 60 309-1, -2

POSITION OF EARTHING SLEEVE ACCORDING TO IEC 60309-2 (CLOCK)		2P3W	3P4W	4P5W
1	■	Optional voltage (not stated below)	■	Optional voltage (not stated below)
3	■	50–250V DC	■	380V 50 Hz to 440V 60 Hz
4	■	100–130V 50/60 Hz		
5	■	277V 60 Hz	■	347/600V 50/60 Hz
6	■	200–250V 50/60 Hz	■	200/346–240/415V 50/60 Hz
7	■	480V 50/60 Hz	■	277/480V 50/60 Hz
9			■	120/208–144/250V 50/60 Hz
12	■	Supply from isolating transformer	■	125/250V

ABB IEC 60 309 International Pin and Sleeve

Mechanical Interlocks

Mechanical Interlocks are used in applications with high demands on safety, durability and performance. Perfect for applications with frequent connection/disconnection, and to use in public areas.

The housing is made of thermoplastic polyester (PBT) grade Valox® 357 material, which is a tough plastic that withstands heavy-duty usage and most chemicals found in industrial environments.

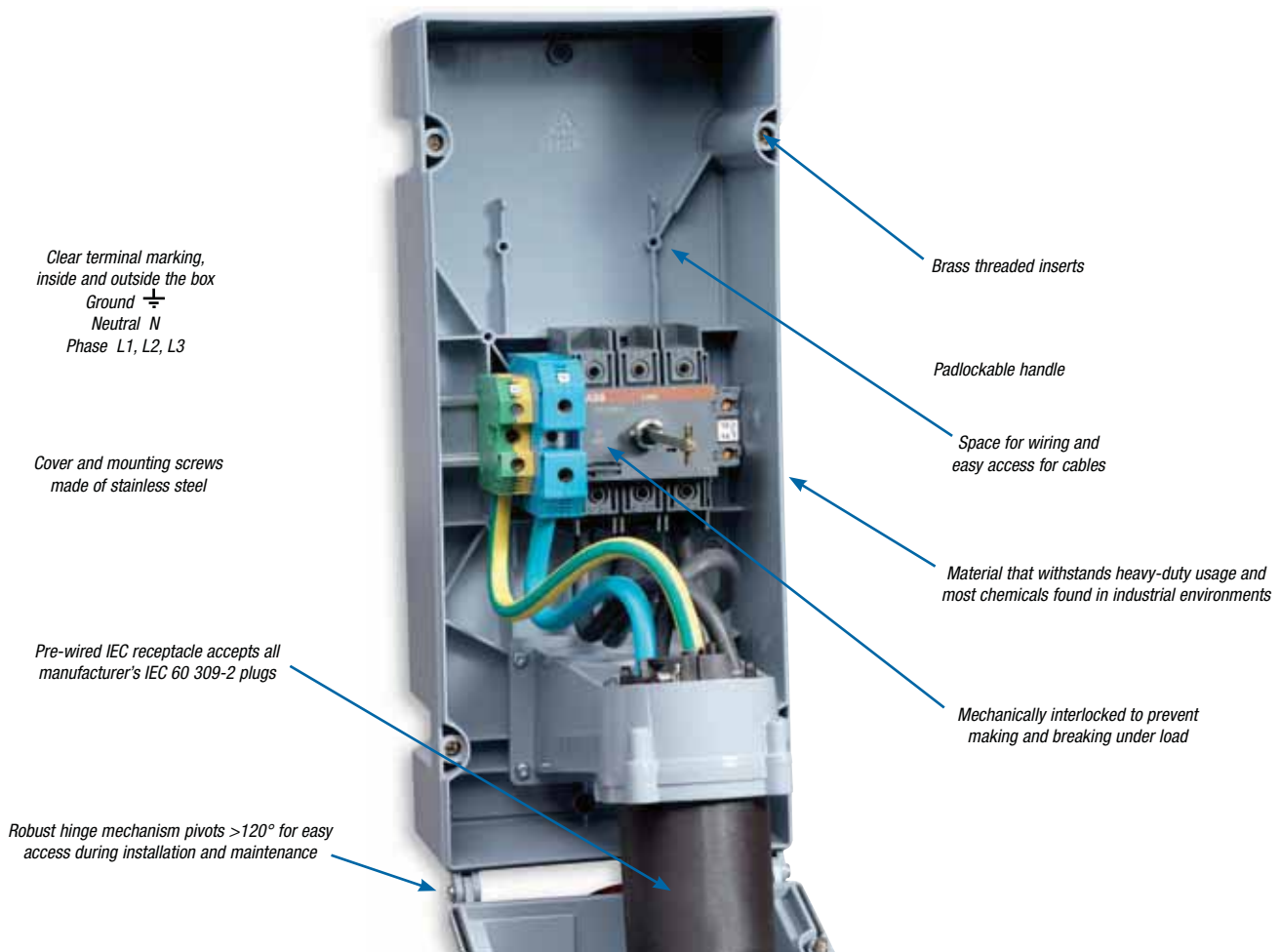
Features

- IP67 watertight
- 16–125A, 50–600VAC
- IEC 60 309-2, -4
- All external screws are made of stainless steel

Application examples

- Chemical industry
- Sawmills
- Airports
- Hospitals

ABB4100M16W



Valox is a registered trademark of SABIC.

ABB IEC 60 309 International Pin and Sleeve

Pin and Sleeve Plugs & Connectors

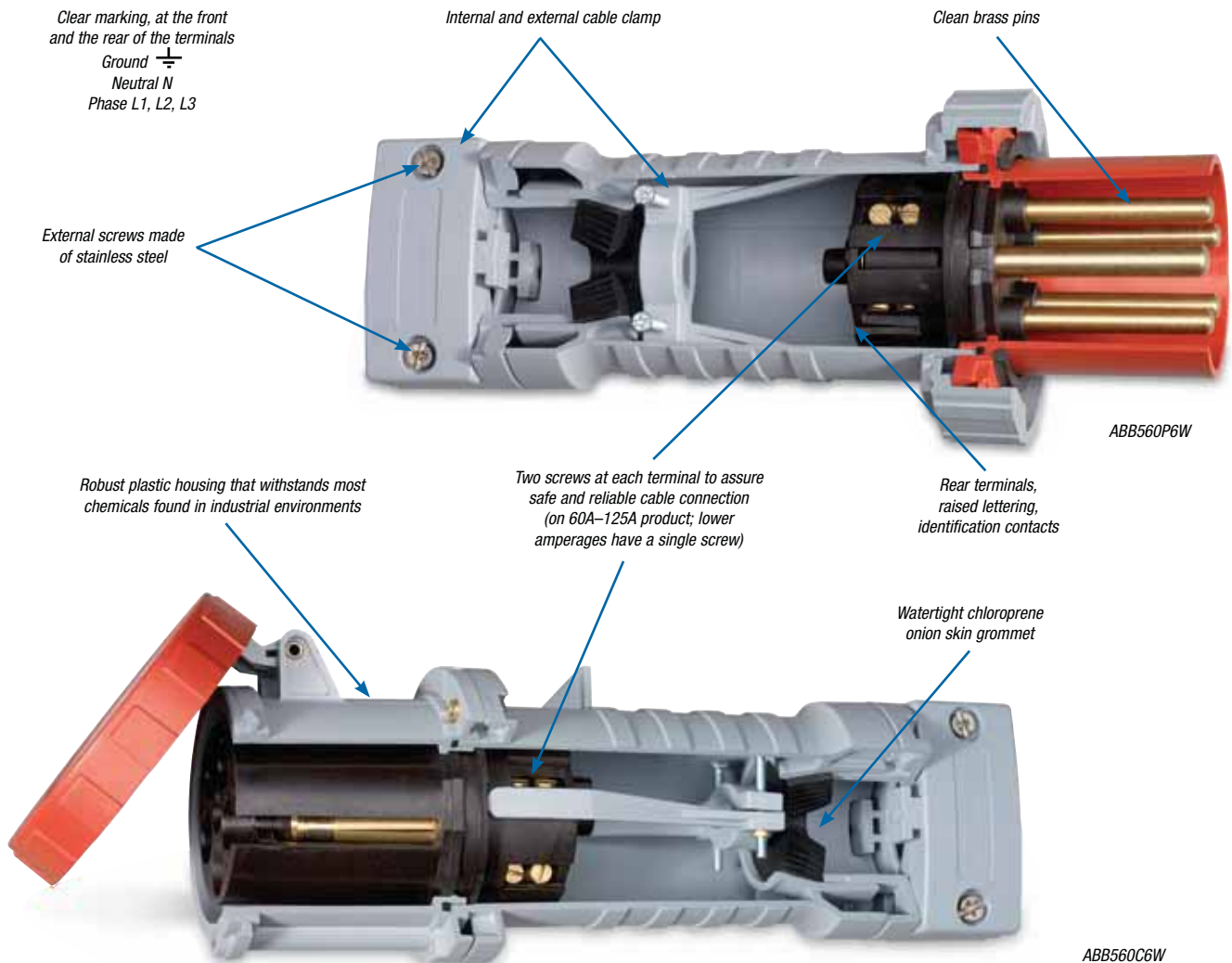
Pin and Sleeve Plugs & Connectors are for applications in environments that have high demand of functionality and safety. The robust housing is made of thermoplastic polyester (PBT) grade Valox® 357 material. The product is available as watertight (IP67, 16–125A). The devices are equipped with internal and external cable clamps. The 100A and 125A devices are equipped with two screws on each terminal.

Features

- IP67 watertight
- 16–125A, 50–600VAC
- IEC 60 309-1, -2
- All external screws are made of stainless steel

Application examples

- Industry/workshops
- Harbors/shipyards
- Mines
- Food & beverage



Valox is a registered trademark of SABIC.